

START FROM HERE

- Make sure **POWER** is **COMPLETELY OFF** at the fuse box
- Have your fixture installed by a qualified licensed electrician
- Prepare everything in a clear area
- Wear gloves at all time during this installation
- Read instructions carefully before you start assembly
- Keep this installation sheet for future reference

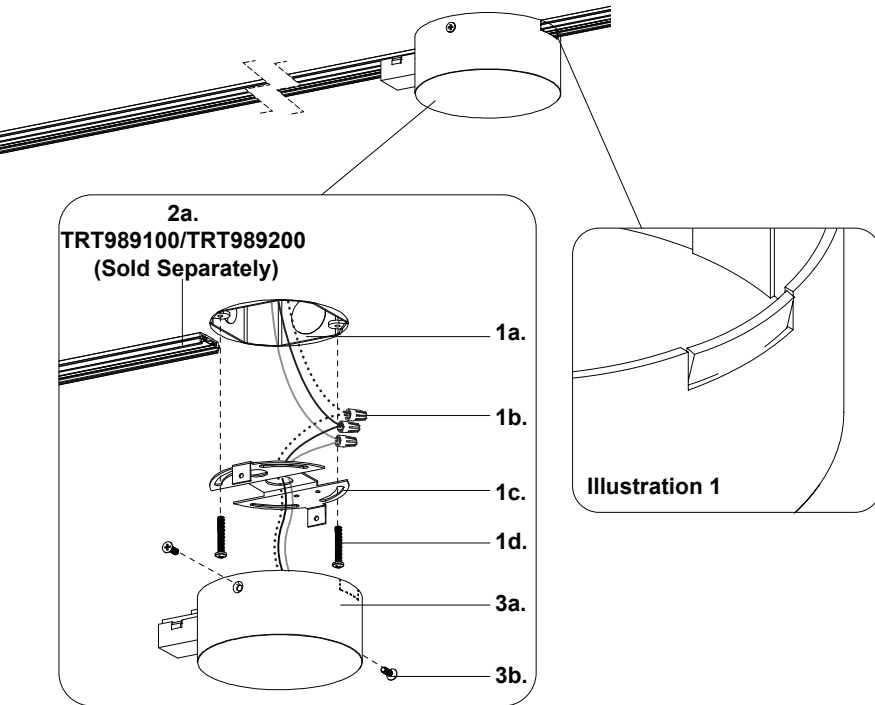
Technical Support: 1-855-855-8926

Please Note:

- To be used with max track length of 40m
- Use ELV (Electronic Low Voltage) or TRIAC type of dimmer for dimming application
- 120V input

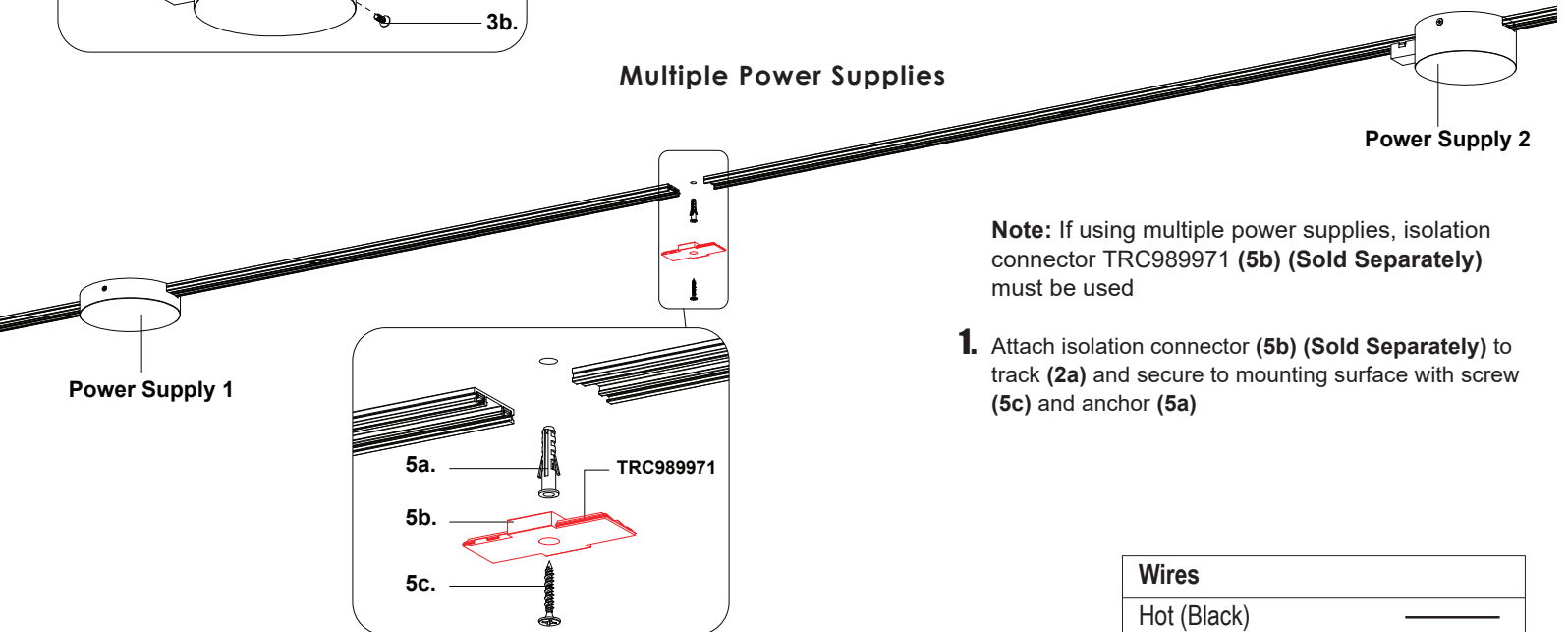
POWERING THE TRILO TRACK SYSTEM

Single Power Supply



1. Remove canopy cover (3a) from packaging
2. Separate mounting plate (1c) from canopy cover (3a) by removing screws (3b)
3. Make proper electrical connections (**black** to hot "L", **white** to neutral "N", **green** to "GND") with wire nuts (1b) provided in hardware package
4. Attach mounting plate (1c) to electrical junction box (1a) using junction box screws provided (1d) in hardware package
5. Attach canopy cover (3a) at end of track TRT989100/TRT989200 (2a) (Sold Separately) and secure to mounting plate (1c) with screws (3b)
6. Optional: Remove perforated piece (See **Illustration 1**) to place track TRT989100/TRT989200 (2a) (Sold Separately) on other side

Multiple Power Supplies



Note: If using multiple power supplies, isolation connector TRC989971 (5b) (Sold Separately) must be used

1. Attach isolation connector (5b) (Sold Separately) to track (2a) and secure to mounting surface with screw (5c) and anchor (5a)

Wires	
Hot (Black)	_____
Neutral (White)	_____
Ground (Green)