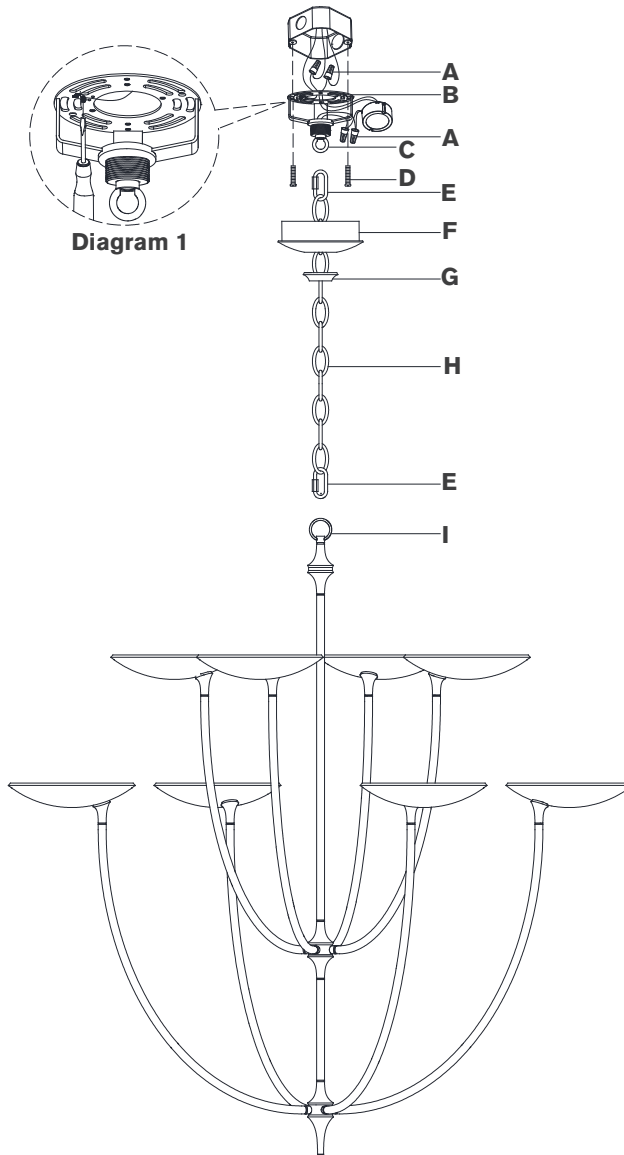


ASSEMBLY INSTRUCTIONS



Keira XL Chandelier

Item # TOB 5785

NOTICE:

This light fixture should be installed in accordance with all applicable, local installation codes, and by a person familiar with the construction and operation of it, as well as the hazards involved. Inspect item and contents carefully. If any damage or defect is found, do not install. Retain all packaging material until installation is complete and approved.

TOOLS REQUIRED (NOT INCLUDED):

Phillips Screwdriver Slotted Screwdriver Wire Strippers
Wire Cutters

1. Carefully remove top layers of packaging as shown in unpacking notice. Remove canopy & chain parts, then place on a clean, soft surface.
2. Remove mounting plate (B) from canopy (F) by removing collar ring (G).
3. Install mounting plate (B) to the junction box and secure with mounting screws (D).
4. Install canopy (F) to mounting plate (B) and secure with collar ring (G).
5. Determine desired overall length, and amount of chain (H) needed. Shorten chain using chain pliers. (Keep extra chain)
6. Attach chain (H) to collar loop (C) and secure using quick link (E).
7. Remove item body from packaging and hang directly to chain (H) by fixture loop (I), securing with quick link (E).

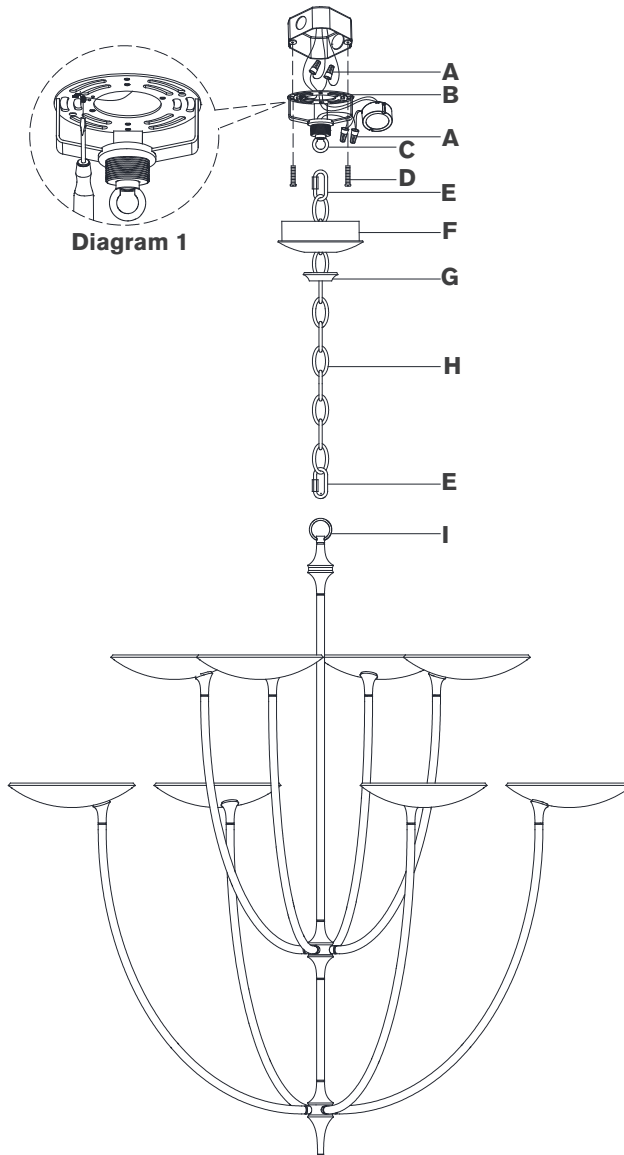
NOTE: Follow steps on unpacking notice to remove item body from packaging.

8. Thread fixture wire and ground wire through chain (H).

NOTE: When you reach the collar loop (C), ensure there is no tension on the wires. Cut excess wires, being sure to leave enough to reach the junction box.

9. Separate two sides of molded wire, and strip insulation on each 5/8".
10. Loosen collar ring (G) and let canopy (F) slip down chain (H) carefully.

ASSEMBLY INSTRUCTIONS



Keira XL Chandelier

Item # TOB 5785

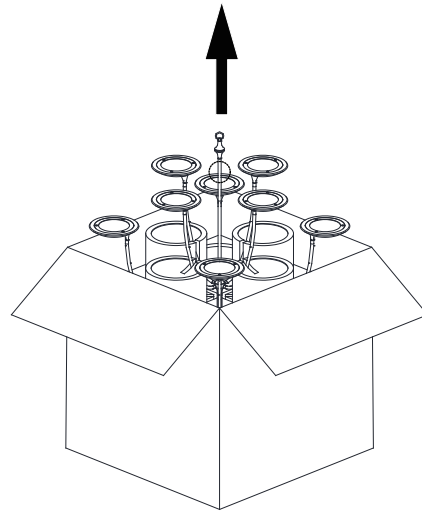
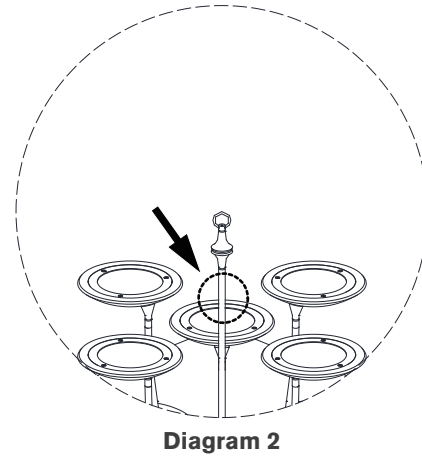
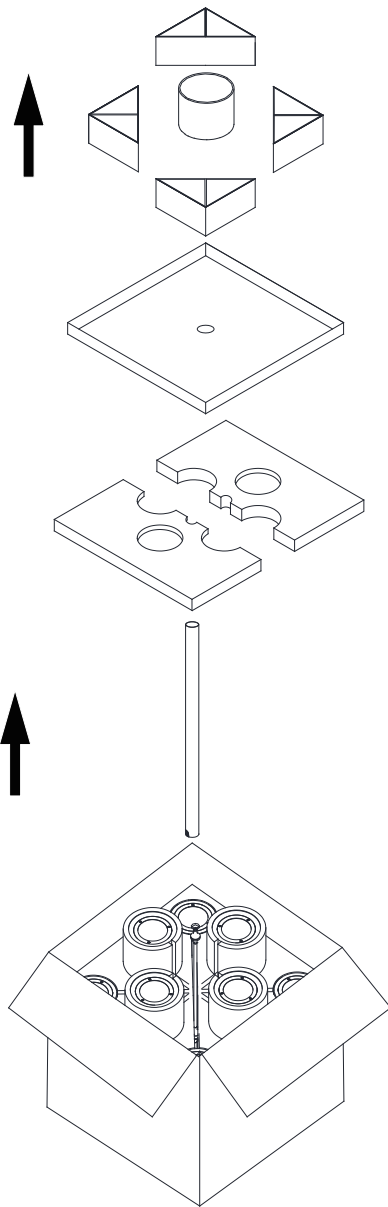
NOTICE:

This light fixture should be installed in accordance with all applicable, local installation codes, and by a person familiar with the construction and operation of it, as well as the hazards involved. Inspect item and contents carefully. If any damage or defect is found, do not install. Retain all packaging material until installation is complete and approved.

11. Twist all fixture wires together. Slip through center hole of mounting plate **(B)**.
NOTE: Untwist wires and separate to prepare for connection.
12. Connect supply ground wire (usually green or bare copper) around the green grounding screw (see diagram 1). Tighten.
NOTE: It is imperative that the fixture is grounded.
13. Connect driver input neutral wire (white) to the supply neutral wire (usually white) using wire nut **(A)**.
14. Connect driver input hot wire (black) to the supply hot wire (usually black) using wire nut **(A)**.
15. Connect fixture neutral wire (ribbed) to the driver output neutral wire (black) using wire nut **(A)**.
16. Connect fixture hot wire (smooth with markings) to the driver output hot wire (red) using wire nut **(A)**.
CAUTION: Do not reverse the hot and neutral connections.
17. Make sure all wire connections are tight, then carefully tuck into the junction box.
18. Insert driver into mounting plate **(B)** bracket.
19. Install canopy **(F)** to mounting plate **(B)** and secure with collar ring **(G)**.

Care Instructions: Clean only with a soft dry cloth or feather duster. Do Not use abrasive or chemical agents.

UNPACKING NOTICE



Keira XL Chandelier

Item # TOB 5785

NOTICE:

Please follow instructions below to avoid possible damages caused by improper removal.

1. Open box and remove top layers of cardboard and styrofoam packaging as shown on left side diagram.
 2. Follow assembly steps to complete canopy & chain assembly.
 3. Lift item by rod (as shown in diagram 2) and pull straight up until clear of packaging, then hang directly to chain (H) and secure with quick link (E).
- NOTE:** Remove slowly to avoid damages.