

**SAFETY INFORMATION**

Please read and understand this entire manual before attempting to assemble, install or operate the product.

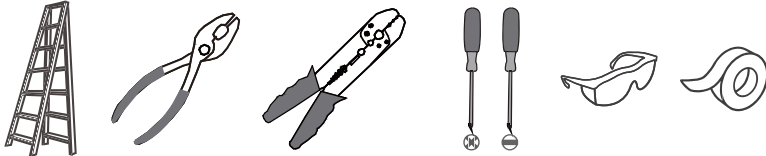
**WARNING**

- RISK OF ELECTRIC SHOCK - Before beginning installation, turn off electricity at the circuit breaker box or the main fuse box.
- RISK OF FIRE - Use bulbs specified by the markings and/or labels on the fixture.

**CAUTION**

- For your safety, read instructions completely before beginning installation.
- If in doubt about electrical installation, consult a licensed electrician.
- Turn off electricity to fixture before replacing the bulb(s).

**TOOLS REQUIRED**

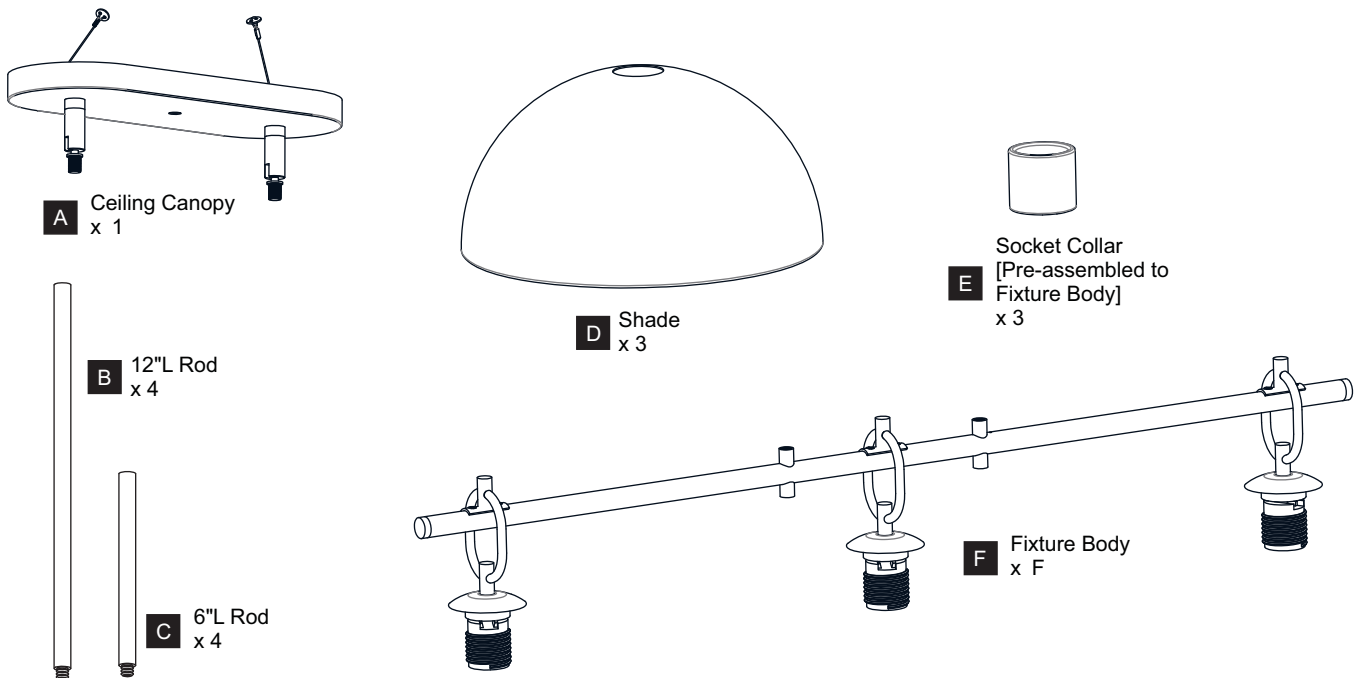


**CARE AND MAINTENANCE**

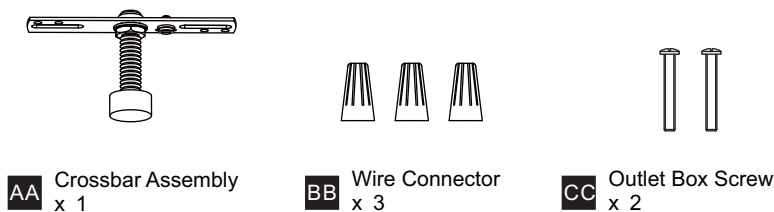
- Wipe clean using soft, dry cloth or static duster. Always avoid using harsh chemicals and abrasives to clean fixture as they may damage the finish.

If you need further assistance call Quozel Customer Care at 1-800-645-3184 (9:00am - 5:00pm EST), or visit us on-line at [www.quezel.com](http://www.quezel.com).

**PACKAGE CONTENTS**



**MOUNTING HARDWARE**



# INSTALLATION

**1 Install Rods**

Optional Rods:

8 Feet Ceiling:  
(2) 12"L Rods each side.

9 Feet Ceiling:  
(2) 6"L Rods + (2) 12"L Rods each side.

**2 Separate Swivels from Ceiling Canopy**

**3 Install Swivels and Ceiling Canopy to Upper Rods**

Swivel

90Degree

For angled ceilings,  
Swivels opening towards wall.

\* Make sure two swivels opening are in the same direction while assembling.

**4 Install Crossbar Assembly**

Outlet Box

**5 Install Lanyards**

Button Stop

Lanyard

**6 Wiring**

White wire from supply

Black (or red) wire from supply

Ground wire from supply

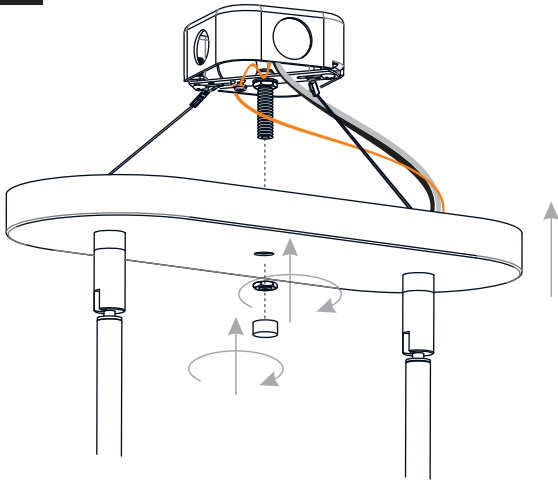
White from fixture

Black from fixture

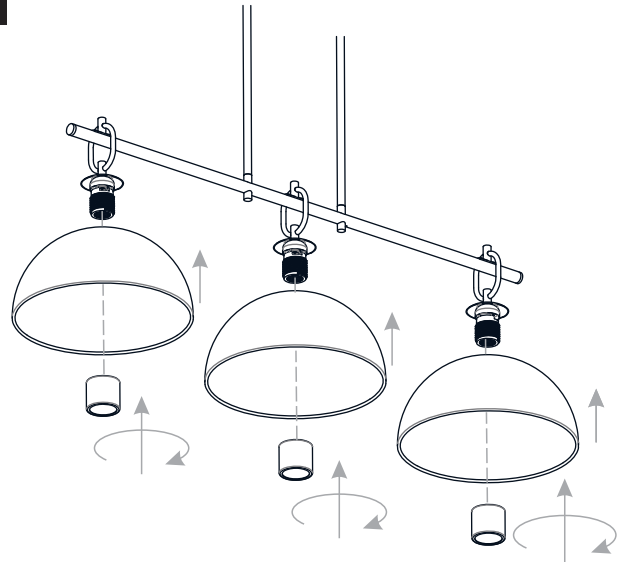
Ground wire from fixture

Green ground screw

**7** Install Ceiling Canopy



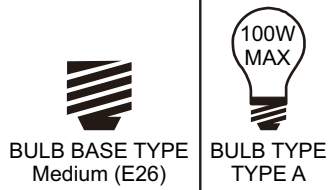
**8** Install Shades



**9** Install Bulbs

Install three correct bulbs referring to fixture markings and/or labels for maximum wattage.

**Recommended Bulb Type (not included):**



**Your installation is now complete! Restore electricity and save this sheet for future reference.**