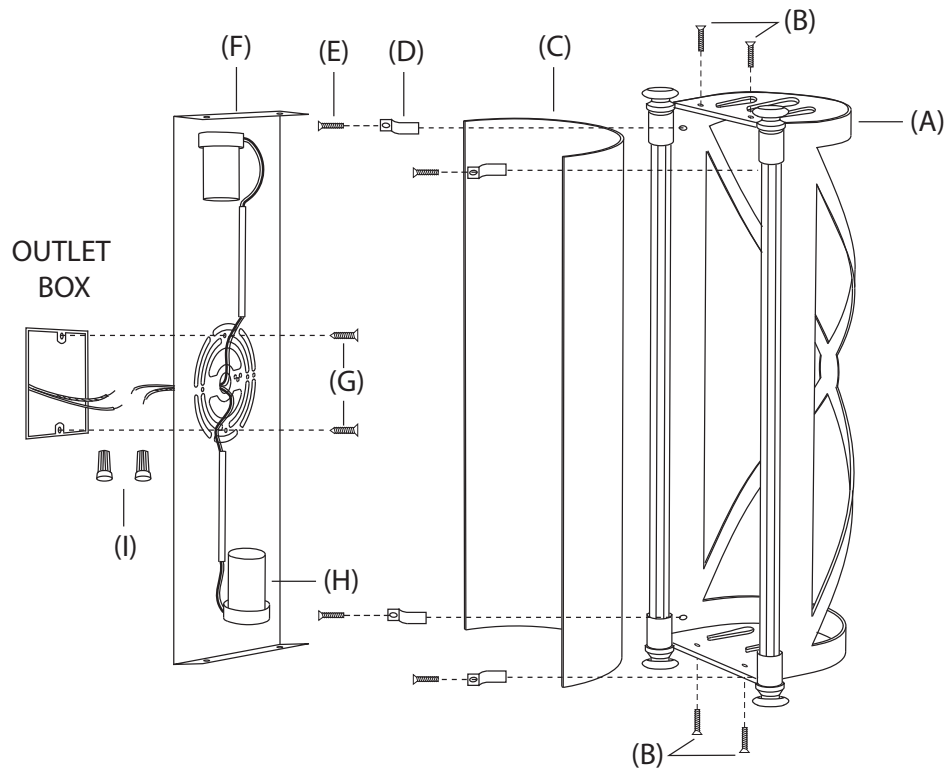


ASSEMBLY INSTRUCTIONS FOR YOUR CHASE SINGLE SCONCE



IMPORTANT SAFETY INSTRUCTIONS:

*These instructions are provided for your safety. It is very important that they are read completely before beginning installation.

***WE STRONGLY RECOMMEND INSTALLATION BY A LICENSED ELECTRICIAN.**

*Turn off power at switch before replacing bulbs, making sure fixture has had sufficient time to cool down.

*DO NOT subject the fixture to any shock while lit as shattering of bulbs may result.

ASSEMBLY INSTRUCTIONS:

1. Shut off electrical supply from main fuse box / circuit breaker.
2. Unpack all parts, do not discard any parts.
3. Remove mounting plate (F) from shade frame (A) by removing screws (B). Set screws (B) aside.
4. Remove shade clips (D) from shade frame (A) by removing screws (E). Set shade clips (D) and screws (E) aside.
5. Guide wiring from wall outlet through center hole in mounting plate (F). Attach mounting plate (F) to outlet box using mounting screws (G), provided.
6. Make proper electrical connections noted in steps 7 through 9. A LICENSED ELECTRICIAN IS RECOMMENDED.
7. Attach ground wire from fixture (green or copper in color) to ground wire from outlet box.
8. Attach hot wire from fixture (black in color or smooth side of wire) to hot wire from outlet box. Fasten wires together with wire nut (I) and tightly wrap connection with electrical tape.
9. Attach neutral wire from fixture (white in color or ribbed side of wire) to neutral wire from outlet box. Fasten wires together with wire nut (I) and tightly wrap connection with electrical tape.
10. Gently push wires back into J-BOX.
11. Insert two (2) 40 W MAX Edison Base, Torpedo bulbs into sockets (H).
12. Lay shade frame (A) face down on level surface. Carefully insert glass shade (C) into shade frame (A). To secure position of glass shade (C), attach shade clips (D) to shade frame (A) using screws (E).
13. Align shade frame (A) and installed glass (C) with mounting plate (F). Carefully slide shade frame (A) with installed glass (C) over mounting plate (F).
14. Align frame screws (B) with holes in top and bottom of shade frame (A) and mounting plate (F). Insert screws (B) into holes in top and bottom of shade frame (A) and mounting plate (F).

**Caution: To clean, use a soft cloth only. Do not use any chemical or abrasive cleaners.