

Project:

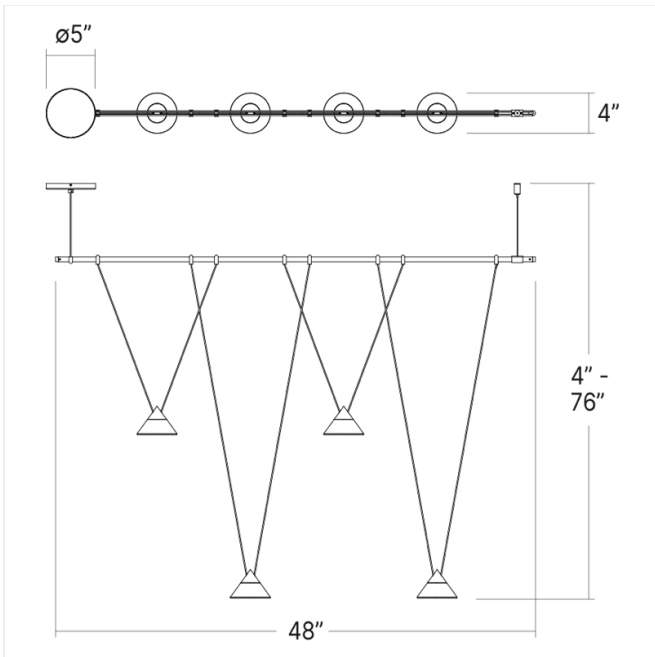
# Suspenders 48" 1-Tier Linear w/Etched Glass Cone Luminaires Spec Sheet

SKU: SLS4244-W

This Suspenders 1-Tier Linear configuration features Etched Glass Cone Luminaires. This Suspenders configuration is available in a black or white finish. This configuration can be hung as a single chandelier, or scaled for larger spaces, making it ideal for residential, hospitality, or commercial environments.

Learn more: <https://sonnemanlight.com/suspenders-48-one-tier-linear-w-etched-glass-cone-luminaires>

Type #:



## Dimensions

Height:	3"
Width:	4"
Length:	48"
Canopy/Backplate/Base:	5
Hanging Details:	6' Adj. Cords/Cables
Canopy/Backplate/Base Height:	0.5

## Electrical Specs

Bulb(s) Included?:	Yes
Bulb 1 Type:	V-Line Etched Glass Cone 16"
Bulb 2 Type:	V-Line Etched Glass Cone 32"
Bulb Quantity:	4
Input Voltage:	120VAC
Wattage:	15
Initial Lumens:	800
Delivered Lumens:	480
Kelvin:	3000K
CRI:	90
Power Supply Type:	Transformer
Power Supply Quantity:	1
Power Supply Location:	Outlet Box
Dimming Type:	ELV

## Installation

Installation:	Licensed electrician required, multi-step installation
Sloped Ceiling Compatible?:	Adapter Available up to 45°
Cord Length:	6' Adj. Cords/Cables
Minimum Hanging Height:	4"
Maximum Hanging Height:	76"

## Shade

Shade Material:	Etched Glass
Shade 1 Color:	Clear
Shade 2 Material:	Etched Glass
Shade 2 Color:	Clear

## General Listings

Certification:	C-ETL-US
Color/Finish:	Satin White (.03)

## Available Finishes

Available Finishes:	Satin Black (.25), Satin White (.03)
---------------------	--------------------------------------

## Available Color Temperatures

Available Color Temperatures:	3000k
-------------------------------	-------